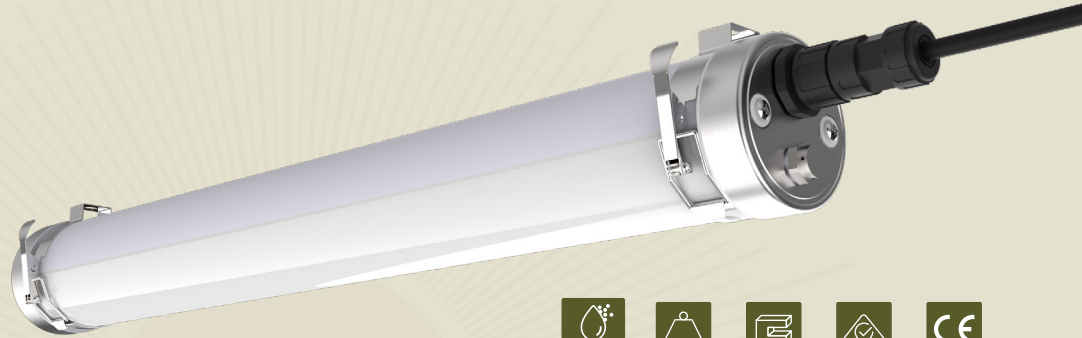


# RU2 ROUND RAPIDLY DEPLOYABLE BATTEN

GU-RU2-60-20  
GU-RU2-120-36  
GU-RU2-150-60



## Description

The GUZU Rapidly Deployable Batten light has been developed for peak flexibility and durability. IP65/IP69K ingress protection and IK10 impact rating ranks this as one of the toughest fittings in the market. Plug and play operation with GUZU's own cable system allows for extremely fast installation on site and the ability to easily remove the system and reuse it elsewhere. The PC housing and 316SS end caps and mounting clips ensure complete corrosion protection. **Dimming and colour temperature options are available on request.**

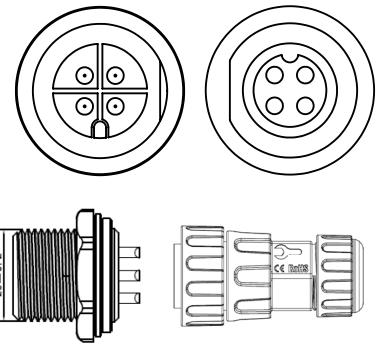
## Cable, Plugs & Connectors

### 3 PIN Cable

+ Earth 2.5mm<sup>2</sup> core cable with optional steel braid shielding



### 4-PIN PLUGS

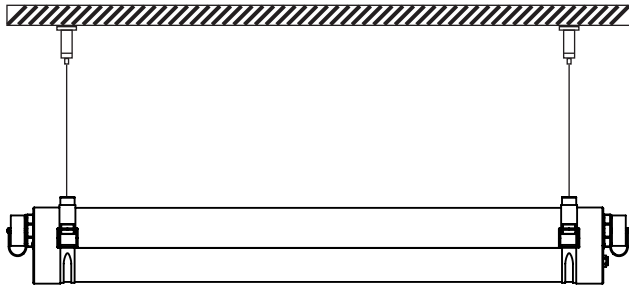


## Technical Information

	GU-RU2-60-20-6K	GU-RU2-120-36-6K	GU-RUR-150-60-6K
<b>Total Power:</b>	20W	36W	60W
<b>MAX Lumen Output:</b>	2600lm	4680lm	7800lm
<b>Lumen Efficacy:</b>	130LM/W ±10%		
<b>Colour Temp:</b>	FIXED OR 3CCT (3000K, 4000K, 5000K, 6000K, 6500K available)		
<b>IP Rating:</b>	IP65/IP69K		
<b>CRI</b>	>80		
<b>Beam Angle:</b>	120°		
<b>Temp Range:</b>	-20-+50°C		
<b>Power Supply:</b>	100-277VAC		
<b>Frequency:</b>	50/60Hz		
<b>Power Factor:</b>	≥0.9		
<b>IK Rating:</b>	IK10		
<b>Dimensions (LxWxH):</b>	600mm X 75Ø	1200mm X 75Ø	1500mm X 75Ø
<b>Materials/construction:</b>	PC cover, 316 endcaps and clips		
<b>Certifications:</b>	IP69, IK10, SAA, CHEMICAL RESISTANCE		
<b>LB Rating:</b>	L80B10		

## Installation Guide

1. Turn power off before commencing installation.



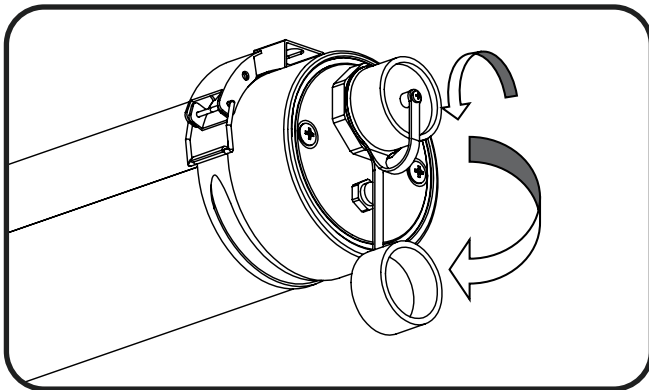
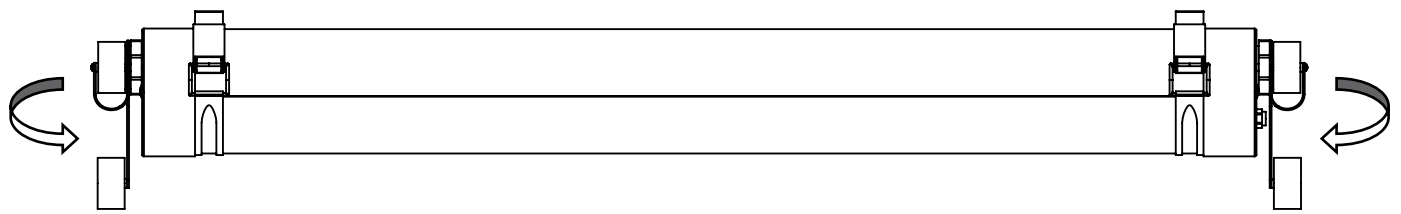
**Suspended Installation**

2. Always use suitable fixings for your type of installation.

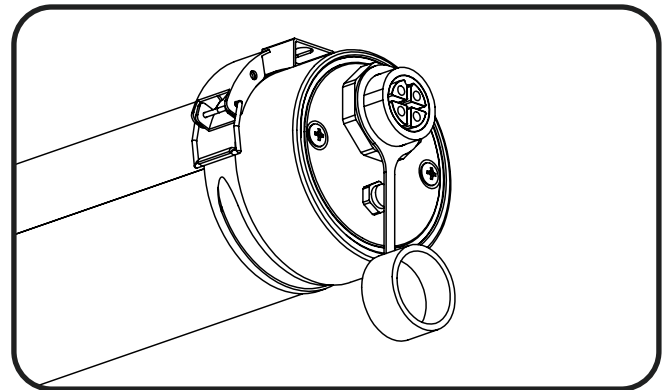


**Surface Mounted Installation**

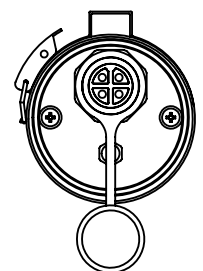
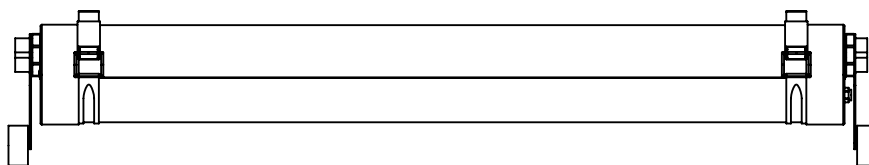
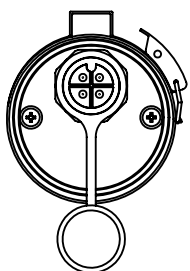
3. Ensure the batten's socket or plug is positioned according to installation plan.
4. Un-screw the covers on the panel mounted connectors.



**Male Panel Mount Plug**



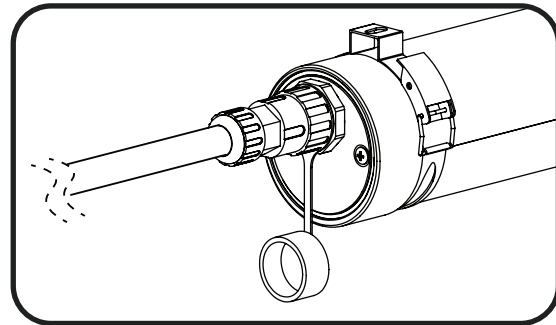
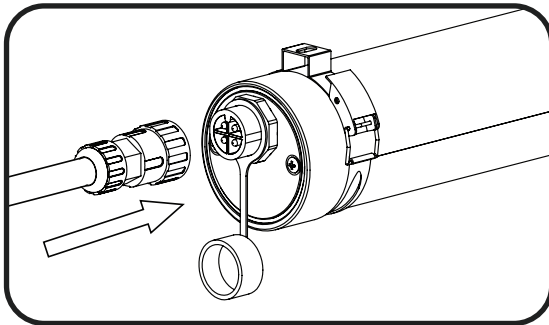
**Female Panel Mount Plug**



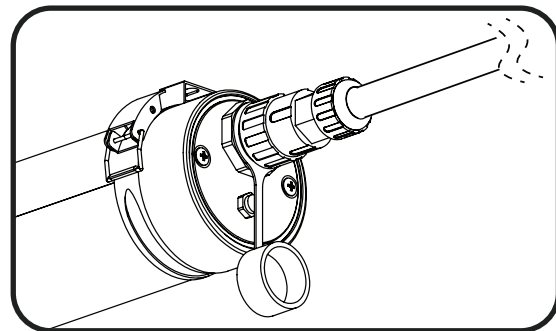
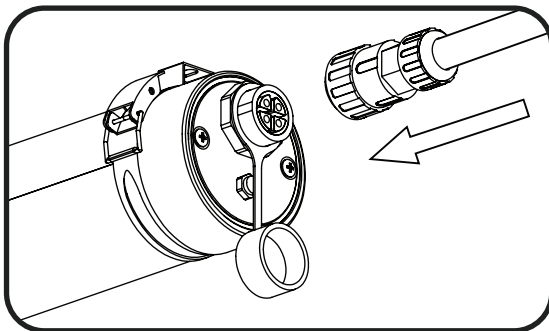
5. Plug the cable connectors accordingly, ensuring that the pins or socket are aligned correctly.

6. Screw the connectors onto the fitting to ensure proper connection and ingress protection.

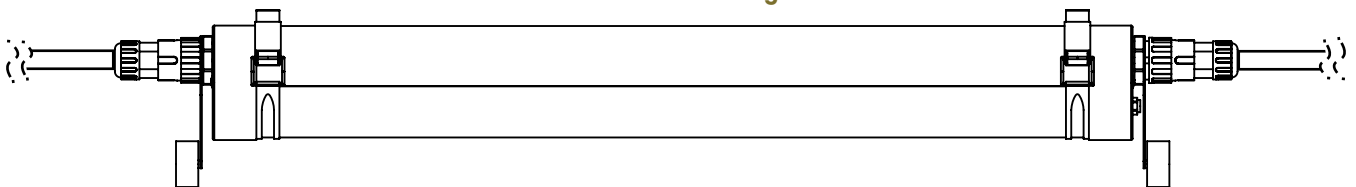
### Male Panel Mount Connector Connection



### Female Panel Mount Connector Connection



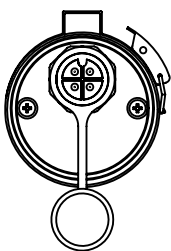
### In-Line Installation Diagram



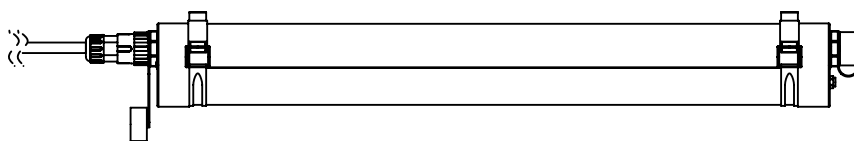
7. Ensure that at the end of the line the last batten's un-connected plug is the female connector, also ensure that the dust cap is locked on (refer to diagram below).

6. Power on the fittings and test operation.

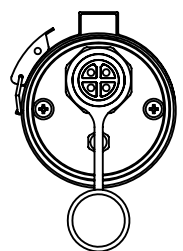
### Male Panel Mount Plug



### End-Line Installation Diagram



### Female Panel Mount Plug



**NOTE:** Maximum single run distance: 75m. Maximum single power consumption 1800 watts or less. Circuit must be protected by 10 Amp RCD.